

## The Shield solution

# Homemade Puzzles

A rather plain, metallic looking box, with an embossed shield on the top, without any visible moving parts.

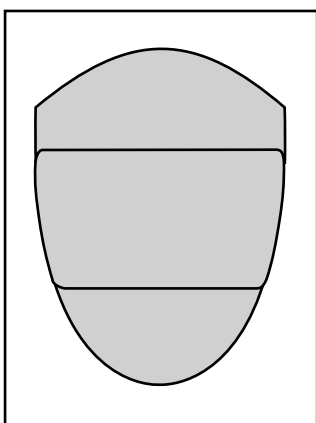
Yet this is another 'sliding panel' puzzle box.

The shield itself has to be manipulated in order to get the lid off. It is divided into three sections, and they are the only moving parts.

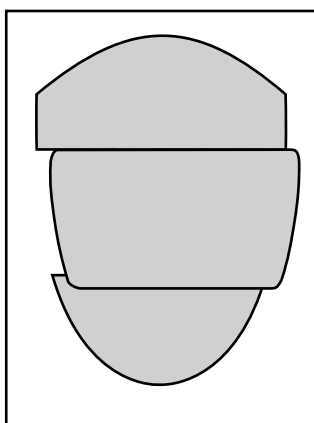
Hold the box so that you're looking down on the lid, then follow these steps.



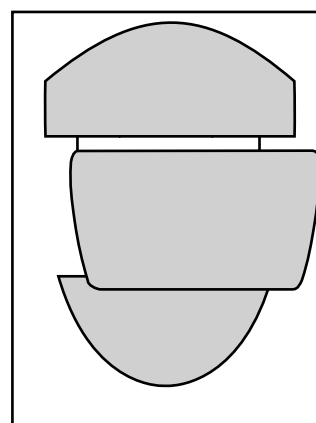
Starting position



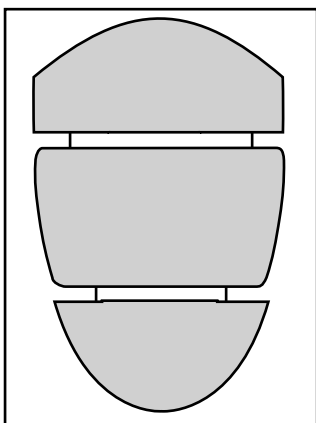
Move the middle part to the right, and the back part backwards.



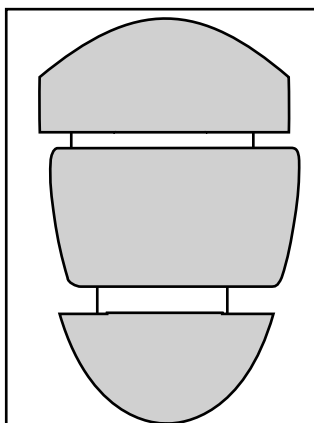
Repeat those movements.



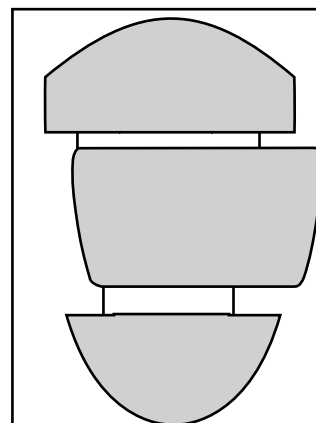
Move the front part forwards, then the middle part left.



Move the front part forward again, then the middle part **halfway** to the right.



If the middle part is moved too far, the lid will be re-locked.



Now take off the lid.

**Enjoy your puzzle!**

Why would you want the solution to a puzzle you haven't got? Seeing the solution might help you decide to make it.

**Get more plans and solutions at Homemade Puzzles.**

Web address: [www.homemadepuzzles.co.uk](http://www.homemadepuzzles.co.uk)

E-mail: [bruce@homemadepuzzles.co.uk](mailto:bruce@homemadepuzzles.co.uk)