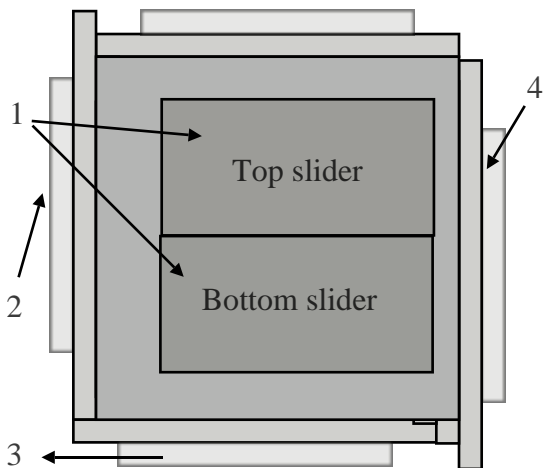


Black Nightmare Solution

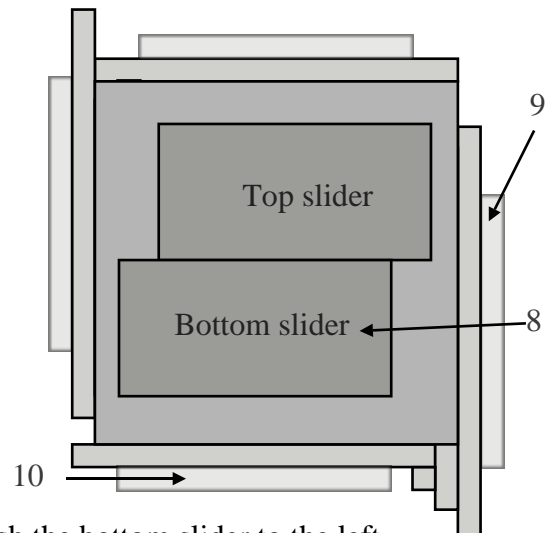
Homemade Puzzles

Hold the box so that the split sliders are facing you. The correct way round is when the top and bottom sliders move to the right. If they move to the left, the box is the wrong way round.

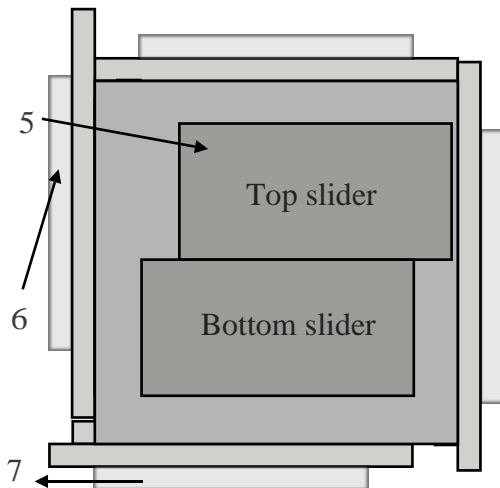
Remember, every move you make on the front sliders, you must also make the same move on the rear sliders!



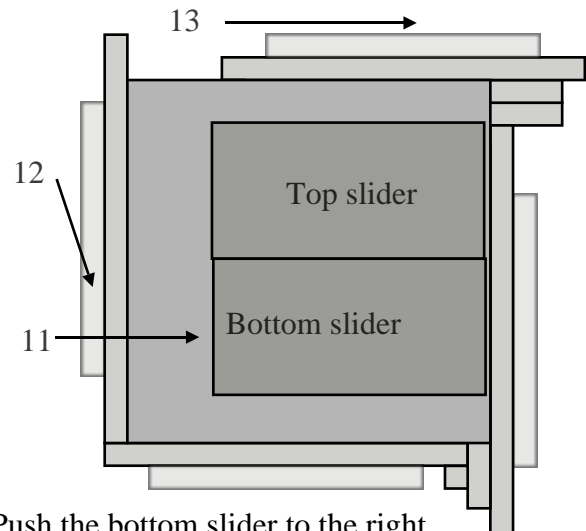
1. Push the top and bottom sliders to the right.
2. Lift the left panel.
3. Slide the bottom panel to the left.
4. Move the right panel down.



8. Push the bottom slider to the left.
9. Move the right panel downwards.
10. Push the bottom panel to the right.



5. Push the top slider to the right.
6. Push the left panel upwards.
7. Slide the bottom panel to the left.



11. Push the bottom slider to the right.
12. Drop the left panel back down.
13. Slide the top off to the right.

Solution amended November, 2008

BOX OPENED!

Why would you want the solution to a puzzle you haven't got?
The solution may help you decide to make that particular puzzle.
© Bruce Viney 2007

Get more plans and solutions at **Homemade Puzzles**.

Web address: www.homemadepuzzles.co.uk

E-mail: bruce@homemadepuzzles.co.uk